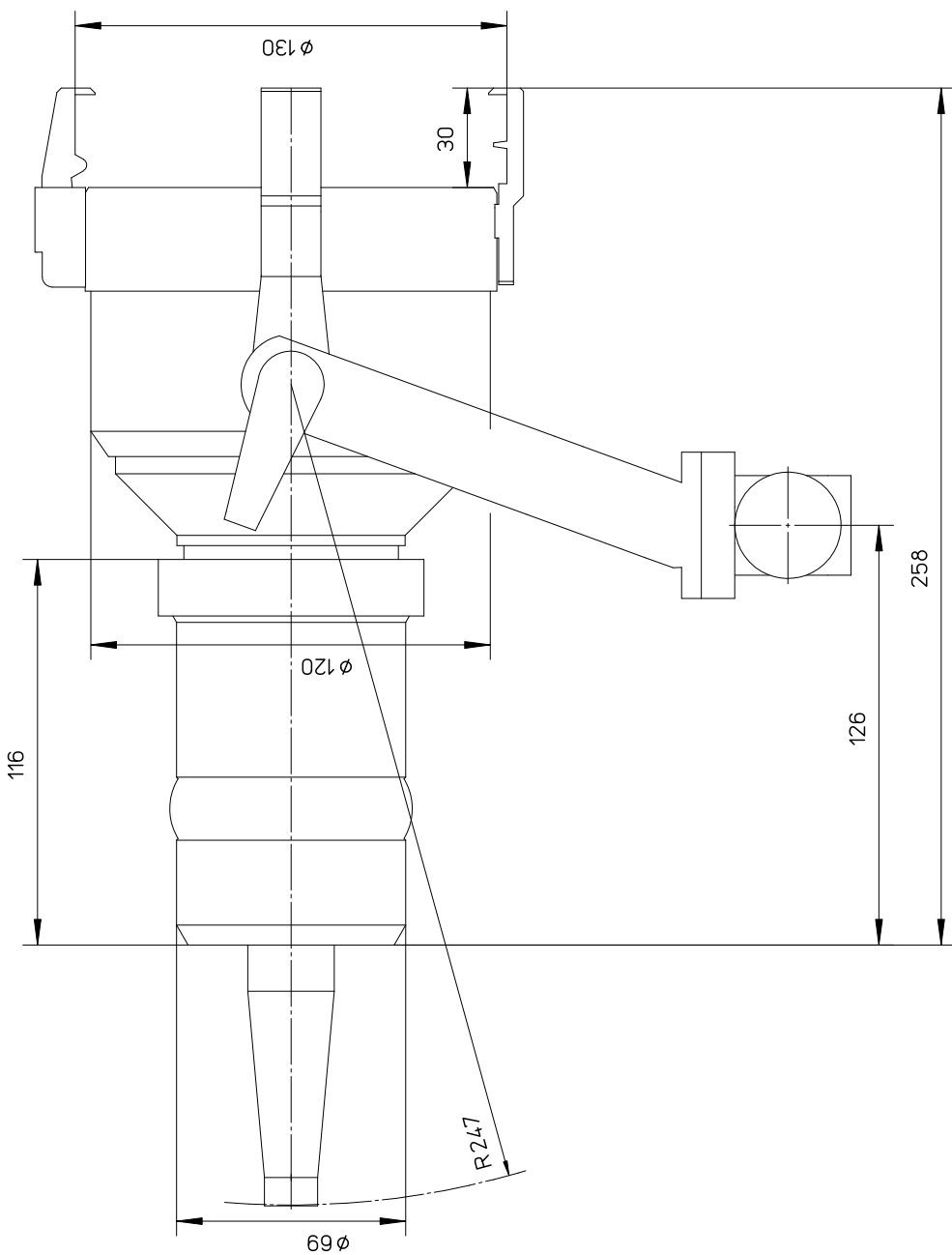
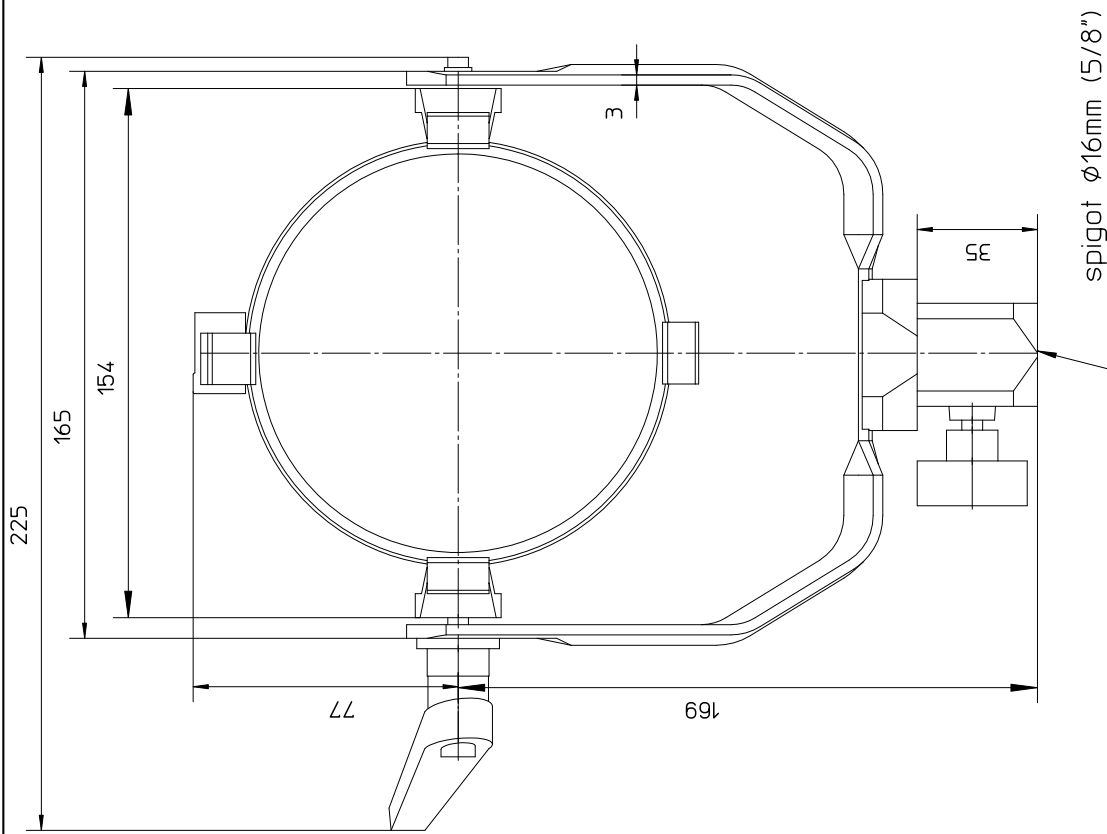


Schutzvermerk nach DIN34 beachten



Scheinwerfertyp
type of lamphead

POCKET PAR 200

Linien
lenses

Ø 105 mm
Ø 4.1"

Packmass
packed size

700x440x300 mm
27.4x17.2x11.7"

Gewicht
net weight

1,9 kg
4.2 lbs

Dateiname
file name

pp200_mb_02

Version / Stand
version / as at...

1.1/11.07.06

Leuchtmittel
lamp

HMI 200W/SE

Zubehoer
accessories

Ø 130 mm
Ø 5.1"

Packvolumen
packed volume

92,4 l
3.2 f3

Packgewicht
packed weight

22 kg
48.5 lbs

Version / Stand
version / as at...

1.1/11.07.06

Lampensockel
lamp base

GZY9.5

Fluegeltoer
bamdoor

Ø 130 mm
Ø 5.1"

Packgewicht
packed weight

22 kg
48.5 lbs

Version / Stand
version / as at...

1.1/11.07.06

Version / Stand
version / as at...

1.1/11.07.06

ARRI

Arnold & Richter Cine Technik
Pulvermuehle
D-83071 Stephanskirchen